





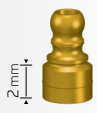




SCREW RETAINED RESTORATIONS |

MULTI-UNIT COMPONENTS

Healing Caps	
	Healing Caps Ø 4.9mm H 4.8mm NM-H7101
	Healing Caps Ø 4.9mm H 7.0mm NM-H7102
	Screw NM-S7102





Transfers & Analog	
	Open Tray Ø 4.9mm H 11mm NM-T7111
	Screw* L 13mm NM-S7111









	Snap-On Cap for Ball Transfer Ø 4.8mm H 11mm NM-T4402
	Closed Tray Ø 4.9mm H 8mm NM-T7102
	Screw* NM-S7102

	Analog Ø 4.9mm NM-T7151
---	--------------------------------------

*Screw - Included with the transfer above & available separately

Abutments	
	Universal Abutment Ø 4.9mm H 12mm NM-T7121
	Wide Universal Abutment Ø 4.9mm H 12mm NM-T7123
	Castable Abutment Ø 4.9mm H 12mm NM-C7121
	Screw NM-S7102

Passive Fit Castable Abutment Set	
The Passive Fit Castable Abutment Set consists of three parts aimed for the fabrications of accurate metal reinforced prostheses. The Castable Sleeve Positioner is used for aligning the Castable Sleeve on the plaster model, ensuring passive fit of the fabricated metal cast when cemented to the Titanium Abutments.	
	Universal Abutment Ø 4.9mm H 12mm NM-T7121
	Castable Sleeve Ø 4.9mm H 10.5mm NM-C7120
	Castable Sleeve Positioner Ø 4.9mm H 10mm NM-T7122
	Screw NM-S7102

CAD-CAM COMPONENTS FOR MULTI UNIT		
Titanium Bases		Scan Bodies
	Ø 4.9mm H 4.5mm NM-C7124	
	Ø 5.2mm H 4.5mm NM-C7126	
	Screw NM-S7102	
Digital Analog for Multi-Unit		
	H 7mm NMDT7151	Screw NM-S7102